

MOVEABLE ARS ANCHOR

SUPER ANCHOR®

TEMPORARY FALL PROTECTION ANCHORAGE DEVICE

INSTRUCTION/SPECIFICATION MANUAL

TRAINING AND INSTRUCTION REQUIREMENTS:

ANYONE WHO USES SAFETY EQUIPMENT MUST FIRST RECEIVE TRAINING AND INSTRUCTION THAT MEETS THE REQUIREMENTS OF FEDERAL OSHA 1926.503 AND COMPLIES WITH THE INFORMATION CONTAINED IN THIS MANUAL

USER COMPLIANCE

THE MOVEABLE ARS ANCHOR IS DESIGNED TO BE USED AS A SINGLE PERSON ANCHORAGE POINT FOR "FALL ARREST" AND "FALL RESTRAINT" METHODS OF FALL PROTECTION AND MEETS THE REQUIREMENTS OF FED. OSHA 1926.502(D) OF SUBPART M. THE USER MUST ENSURE COMPONENT COMPATIBILITY WITH A FULL BODY HARNESS, SHOCK ABSORBING LANYARD, OR STRAIGHT LANYARD, LIFELINE, ROPE GRAB DEVICE, AND CONNECTING HARDWARE.

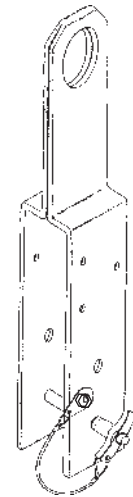


Fig. 1

FACTORY ENSURED "COMPONENT COMPATIBILITY"

WHEN USING A COMPLETE FALL PROTECTION SYSTEM SUPPLIED BY SUPER ANCHOR SAFETY, SUCH AS THE "TOTAL PACKAGE" OR "FALL ARRESTOR" LIFELINE/ROPE GRAB SYSTEM, COMPONENT COMPATIBILITY IS ENSURED WITH THE MOVEABLE ARS ANCHOR. FACTORY SUPPLIED INSTRUCTIONS MUST BE FOLLOWED.

USER ENSURED "COMPONENT COMPATIBILITY"

COMPONENTS SUPPLIED BY OTHER MFG. MIXED OR MATCHED, MAY BE USED PROVIDED THE "USER" HAS COMPONENT COMPATIBILITY ENSURED BY A "QUALIFIED" OR "COMPETENT" PERSON.

THE FOLLOWING INSTALLATION CONDITIONS MUST BE MET BEFORE USING THE MOVEABLE ARS ANCHOR AS AN ANCHORAGE DEVICE:

- 1) MUST BE ATTACHED TO RAFTER WITH LOCKING PIN ENGAGED AND IN THE LOCKED POSITION. SEE **Fig. 3-6** ON PAGE 2.
- 2) CORRECT SIZE ANCHOR MUST BE USED FOR SPECIFIED RAFTER SIZE.
PART #1014 FOR 2X4, 2X6, OR 2X8
PART #1015 FOR 2X10 OR 2X12

FRAMING REQUIRED

- 3) USE THE MOVEABLE ARS ANCHOR ONLY ON FRAMING THAT MEETS OR EXCEEDS THE REQUIREMENTS OF CURRENT UNIFORM BUILDING CODE, IS STD-BETTER #1 GRADE, FREE OF DEFECTS, CRACKS, DAMAGE AND IS NOT A SPLICED MEMBER, AND HAS NOT BEEN EXPOSED TO THE WEATHER FOR MORE THAN 30 DAYS.

STRUCTURAL BRACING

- 4) ATTACH THE MOVEABLE ARS ANCHOR TO A WOOD FRAMED STRUCTURE THAT IS CAPABLE OF SUPPORTING THE INTENDED LOAD FOR FALL ARREST OR WORK POSITIONING USE. TEMPORARY STRUCTURAL BRACING OF WALLS, RAFTERS, OR TRUSSES OR OTHER FRAMED COMPONENTS MAY BE REQUIRED. THIS MANUAL MAKES NO RECOMMENDATION REGARDING STRUCTURAL BRACING.

DEFINITIONS:

OUTSIDE VERTICAL FALL:

A FALL THAT OCCURS TO THE OUTSIDE OF AN EXTERIOR WALL, OR SIMILAR FRAMING CONFIGURATION, WHERE THE PRIMARY FORCES APPLIED TO THE RAFTER, TRUSS OR JOIST ARE IN TENSION.

INSIDE VERTICAL FALL:

A FALL BETWEEN THE WALL TOP PLATE OR SIMILAR FRAMING CONFIGURATION AND THE MOVEABLE ARS ANCHOR POSITION ON THE RAFTER, TRUSS OR JOIST, RESULTING IN A DOWNWARD DEFLECTION OF THAT FRAMING MEMBER.

SWING FALL:

A FALL THAT IS OFF CENTER FROM THE ATTACHMENT STEM ON THE MOVEABLE ARS ANCHOR, RESULTING IN A PENDULUM MOTION.

CROSS BRACING:

LATERAL CROSS BRACING IS REQUIRED BETWEEN THE WORKER'S POSITION AND THE MOVEABLE ARS ANCHOR, PRIOR TO ROOF SHEATHING INSTALLATION, TO ACT AS A CATCH FOR THE LIFELINE OR LANYARD; ANYTIME THERE IS AN EXPOSURE TO AN INSIDE VERTICAL FALL, OR WHEN CROSS GRAIN FORCES CREATE DEFLECTION IN THE RAFTER, TRUSS, OR JOIST.

FALL HAZARD EXPOSURE:

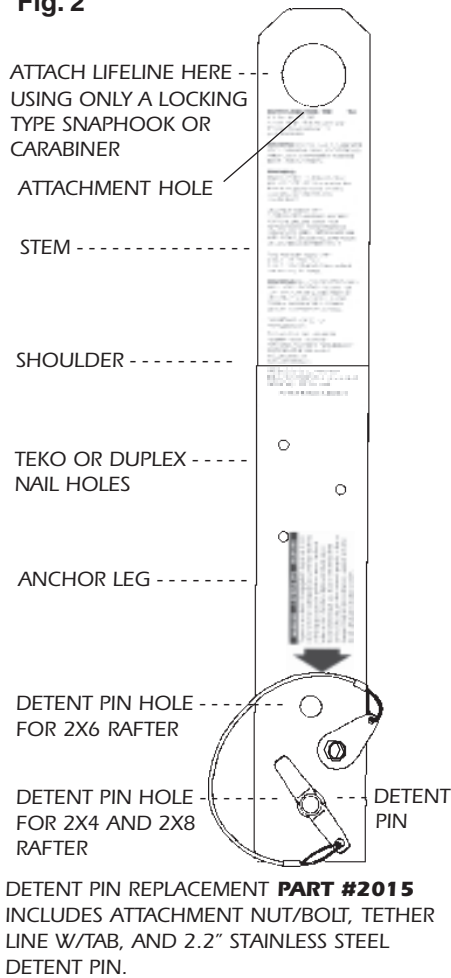
ANY EXPOSURE TO A FALL THAT IS DEFINED BY FEDERAL OSHA OR STATE SAFETY REGULATIONS, INCLUDING THOSE DEFINED BY COMPANY OR INDIVIDUAL FALL PROTECTION PROGRAMS.



THE IMPROPER USE OF ANCHORAGE DEVICES AND A FAILURE TO USE OTHER SAFETY EQUIPMENT COMPONENTS THAT ARE COMPATIBLE, MAY CREATE UNFORESEEN HAZARDS THAT COULD RESULT IN SERIOUS INJURY OR DEATH TO THE USER, IN THE EVENT OF A FALL.

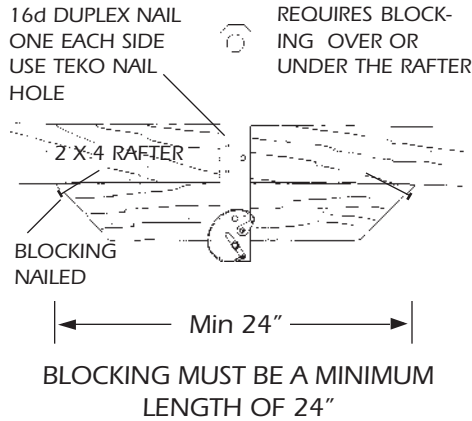
INSTALLATION PROCEDURE: RAFTER, TRUSS CONFIGURATIONS

Fig. 2



WARNING: THE ANCHOR MAY MOVE POSITION ON THE RAFTER WHEN SUBJECTED TO A FALL. USE A 16d DUPLEX NAIL ON EACH SIDE OF THE ANCHOR TO PREVENT ANY SLIPPING.

Fig. 3



IMPORTANT
2X4 RAFTER
REQUIRES BLOCK-
ING OVER OR
UNDER THE RAFTER

Fig. 4

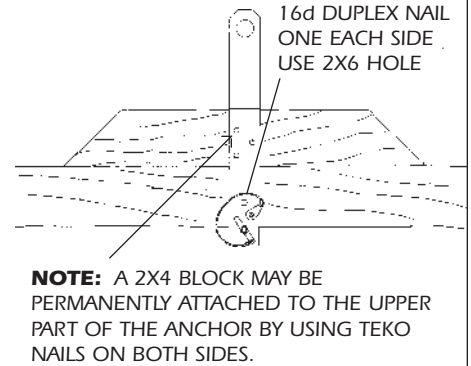


Fig. 5

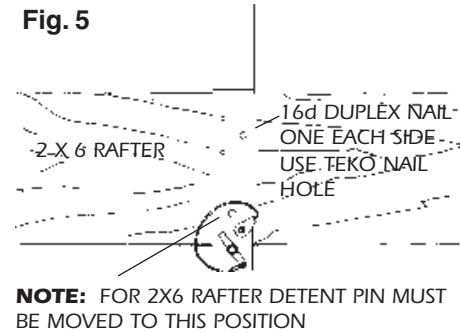
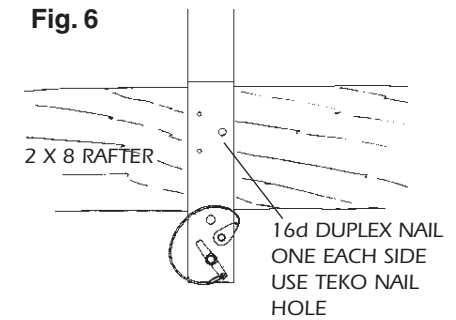
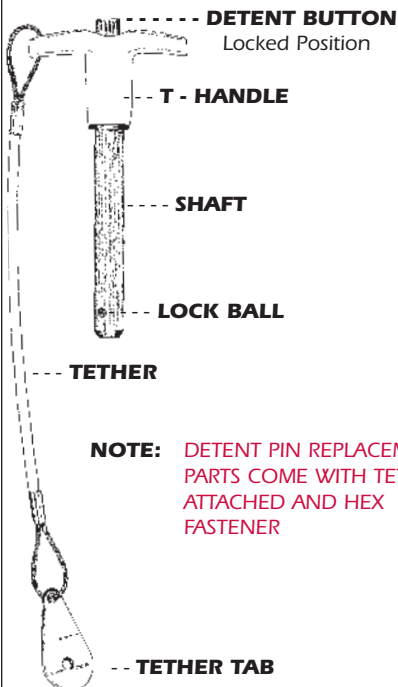


Fig. 6



DETENT LOCKING PIN



DETENT LOCKING PINS:

The Moveable ARS Anchor is equipped with a **Detent Locking Pin**. Pins must be inserted through the leg holes and remain in the locked position when in use for Fall Protection, as shown in **Fig. 3-6** above.

INSERTING DETENT LOCKING PINS:

Grasp the **T-Handle** and hold the **Detent Button** down in the **"Unlocked"** position by depressing. Insert the pin through the leg pin holes until the locking balls are visible on the outside of the leg face. Release the detent button. The pin is now in its **"Locked"** position and should not be able to be pulled out.

CHECKING DETENT PIN FUNCTION:

Detent locking pins are held in their locked position by 2 **Locking Balls**, located on the bottom of the pin shaft, opposite each other. Depressing the pin button activates a spring that allows the pin balls to retract inside the pin shaft. This is the **"Unlocked"** position. Releasing the Detent Button forces the locking balls into their **"Locked"** position. Check the function by pushing the detent button down several times and observing the locked position. The pin should not be able to be pulled out of the leg pin holes.

PIN DOES NOT FUNCTION PROPERLY:

If the detent pin will not remain in the locked position, is damaged, or is subjected to a fall impact, **DO NOT USE THE MOVEABLE ARS ANCHOR**. Locking pins must be replaced with a factory supplied part only. **DO NOT SUBSTITUTE WITH ANY OTHER TYPE OF PIN OR FASTENER.**