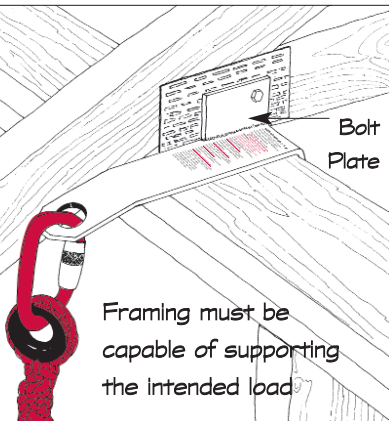


Fig. 17

Double Top Plate Required

Ensure that all Fasteners are installed before use.



WALL ANCHORS:

3/16" thick SST Wall Anchors come in two sizes and fit 2x4, 2x6, & 2x8 top plate. They require double top plate, attachment bolt through rafter, and 4 -16d sinkers as shown in **Fig. 18-20**. Drill bolt hole through rafter. Use chart to select proper anchor size. **USE ONLY FACTORY SUPPLIED FASTENERS.**

PERMANENT INSTALLATION:

It is suggested that you notch back side of wall plates for flush mount to accept drywall. Notch bird blocking around bolt plate and stem section if needed.

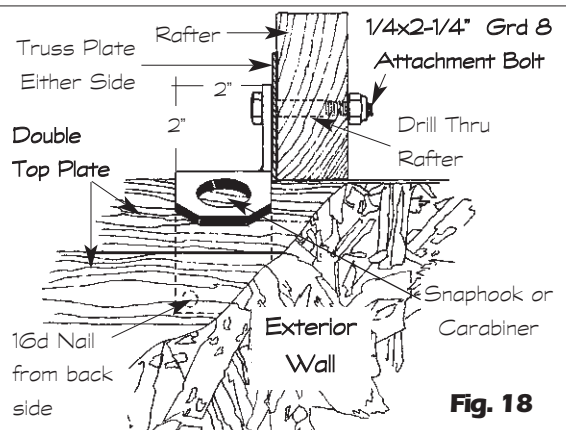
TEMPORARY INSTALLATION:

Attachment Bolt Required. Use 16d duplex & notch bird blocking around stem. Remove anchor from inside when finished.

SIZE CHART

RAFTER SIZE	STD Anchor #1004		45° #1004A
	WALL TOP PLATE SIZE		
2X4	2X4 MAX Slope	2X6 All Slopes	2X4 10/12 or Greater
	7/12		
2X6 - 2X12	ALL SLOPES		

BEND IN STEM MUST NOT EXCEED DIMENSION SHOWN FOR MODEL. See Figs. 19 & 20.



I-JOIST / TJI / WEB TRUSS:

I-joists with a top flange of between 1-1/4" and 2-3/4" can be fitted with either the #1003 I-Joist or #1001 ARS 2x8. Request custom anchors for wider widths. **DO NOT PULL ANCHOR LEGS APART OR MODIFY ANCHOR.**

WEB FILLER

- 1) Attach OSB or Plywood filler to both sides of the I-joist center web as shown in **Figs. 21, 22, & 23**. Keep filler 1/2" below top flange. The combined widths of the filler and center web must not exceed the anchor legs I.D. as specified in **Fig. 22**. When the anchor I.D. is 1/4" or less in width than the top flange, it may be possible to shave up to 1/8" off each side of the flange. Consult TJI Mfg. first.
- 2) Anchor shoulders must be seated onto top flange with anchor legs centered over web filler as shown in **Fig. 21**. Drill through filler and center web using attachment bolt hole as a guide. **DO NOT DRILL THROUGH ANCHOR LEG MATERIAL. DO NOT INSTALL INVERTED.** Insert factory attachment bolt and secure lock nut.

Fig. 21

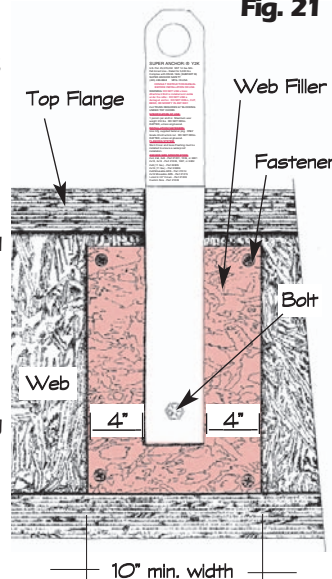
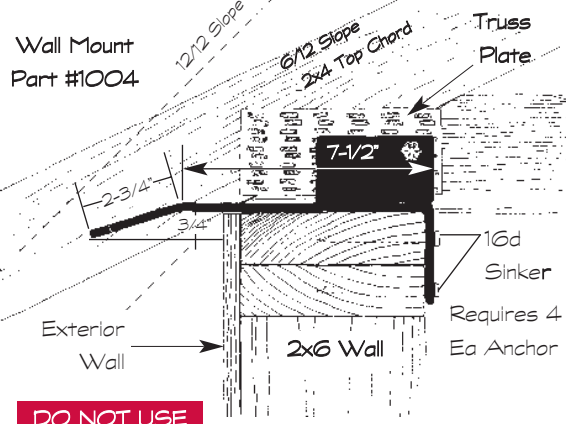


Fig. 19

Wall Mount Part #1004



ENGINEERING:

- 3) **BEFORE USE**, it is recommended that you consult the I-joist manufacturer or engineer regarding installation of Super Anchors. The specifications contained in this manual are suggested methods of installation only.

Fig. 22

Part #1003
2-1/2" I-Joist Anchor Fits I-Joist Top Chords 1-3/4" up to 2-3/4"

Anchor I.D. 2-1/2"

Top Flange
1/2" open space
Web Filler OSB or Plywood
Center Web
Anchor Leg
Drill through I-Joist: Attachment Bolt
Grd 8 3-1/4"x1/4"

Filler Secured to Center Web

Part #1001
ARS 2x8 Fits Top Chords 1-1/4" up to 1-3/4" Anchor I.D. 1-5/8"

Top Flange notched to fit anchor I.D.

Fig. 23

Drill through I-Joist: Attachment Bolt
Grd 8 2-1/4"x1/4"

NOTE: ARS 2x8 Anchor use lower bolt hole for I-Joist installation.

DO NOT USE GALV NAILS

45° Wall Mount Side View Part #1004A

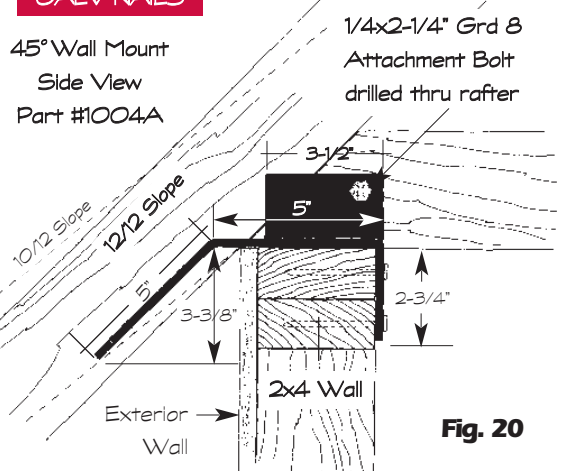


Fig. 20

Mfg. By **SUPER ANCHOR SAFETY** 8522 - 216th. Street SE Woodinville, WA 98072-8009
Phone **(425) 488-8868** Fax **(360) 668-1717** - Visit us on the Web at **www.superanchor.com**